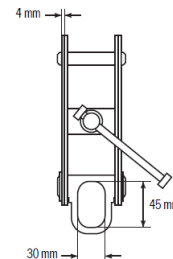
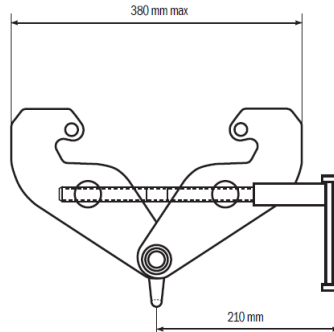
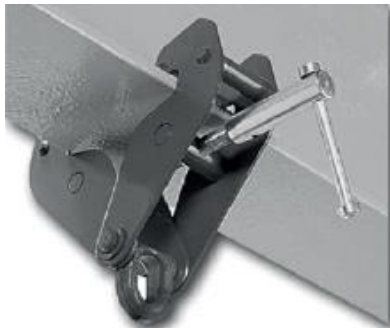


## APPLICATIONS

The corso clamp anchorage device provides optimum safety against falls from height for people working under I-beams in H or T. The use of corso clamp on site or in industry as anchor point fall guaranteed to the operator quick and easy positioning of the anchor point.



## DESCRIPTION

The corso clamp anchoring device is intended exclusively for the docking of a personal protection system against falling heights, for example an energy absorbing lanyard or automatic fall arrester blocfor™ or rope grabs stopfor™. The corso clamp can be installed on the bottom flange of an I, H or T beam.

The corso clamp placement on the beam is easy thanks to the use the rotating handle of the equipment.

The corso clamp is intended to be installed on a beam I, H or T whose width is between 75 mm and 235mm

## TECHNICAL CHARACTERISTICS

The presentation characteristics of the corso clamp are:

- Two double flange jaws for stable and robust lock on the beam.
- A rotating adjustable handle for quick and easy locking on the beam.
- Higher mechanical strength than the standard specifications.
- An anchor ring compatible with a wide variety of connector for the operator connection.

## APPLICABLE STANDARDS

Complies with CE EN 795 B/2012

Is compatible for a max operating load of 150kg

## MAIN COMPONENTS

Code	Description	EAN Code	Weight (incl. packaging)	Packaging size
097929	corso clamp	3600230979298	4.4 kg	450x220x105